

## Product Description

The Clean Valve has been designed to meet the most demanding process specifications for cleanliness and safety. The body is constructed of stainless steel or other specialty alloys with a stem machined to provide a smooth sealing surface for the valve packing sealing rings. The sealing neck ring is provided with an o-ring seal against the valve stem located in front of Chevron packing to provide primary sealing. The neck ring also provides positive sealing against the valve body, to eliminate hold up of material above the Chevron packing.

## Clean Valve Advantages

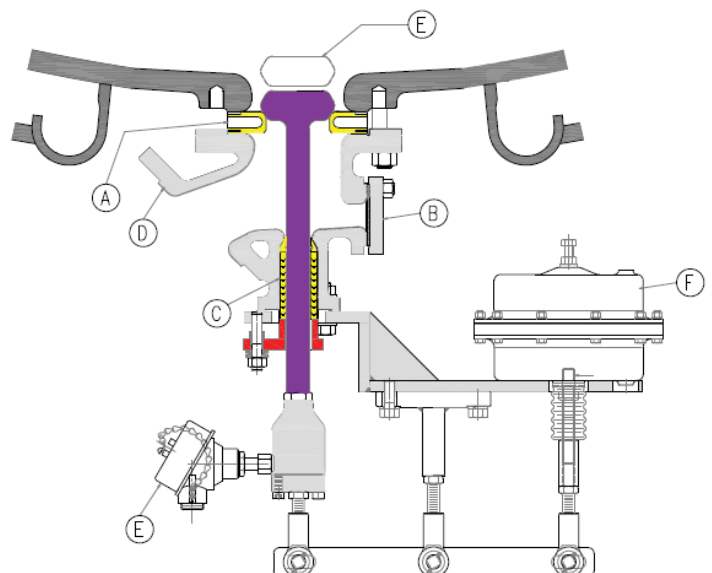
- Increased and optimized sealing and cleanability.
- Additional port can be used to clean the valve body, pre-heat the piping, take a sample or introduce gas.
- Allows for wider temperature range and higher pressures.
- Able to accommodate RT or TC sensor. This allows sensing of temperature at the lowest point in vessel.
- There is no bellows to clean. Bellows can be difficult to clean, especially when the final product is a slurry.

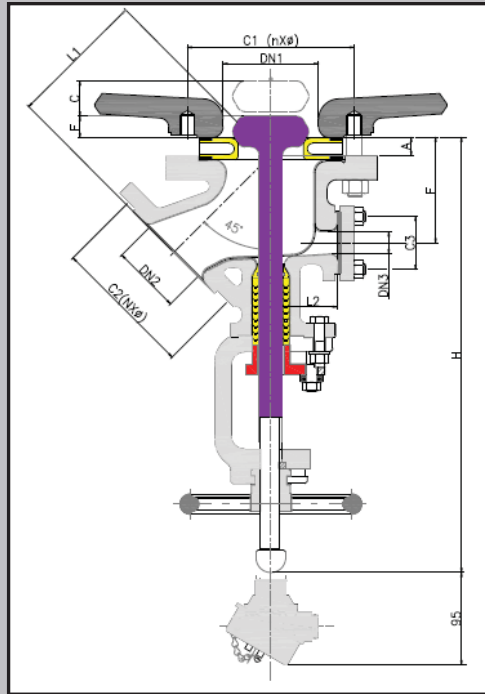
## Clean Valve Features

- A - Valve seat design prevents material getting between the seat and the bottom outlet nozzle
- B - Additional side nozzle for cleaning lance or other purposes (e.g. sampling, gas dispersion)
- C - Chevron packing with o-rings for seal and cleanability in place of difficult-to-clean bellows
- D - Valve body designed to drain completely
- E - UniTIP® head and stem with temperature sensor that can be replaced without having to remove the valve from service

## Options

- Manual, pneumatic in-line and pneumatic low-profile (F) designs are available.
- Stainless steel or other specialty alloy materials of construction for installation on your SS/alloy reactor or tank
- 45° or 60° outlet nozzle
- Fire safe model
- Various accessories - emergency manual control, limit switch, positioner, quick exhaust valve, solenoid control valve, tubular sight glass, spray nozzle





Size DN1/DN2	Sides common to all models										Clean Valve			
	DN3			L1	L2	A	B	D	E	F	C	H	bar	daN
DN	C3	n x Ø												
2 x 1 1/2	.78	2.95	2xM12	4	1.77	.31	.43	1.65	.70	2.64	1.38	13.98	FV/150psi	.39
3 x 2	.78	2.95	4xM12	4.53	2.36	1.77	.47	1.65	.91	4.37	1.38	16.54	FV/150psi	.63
4 x 3	1	3.35	4xM12	6.10	.78	.41	.51	2	1	4.29	1.77	19.29	FV/150psi	1.14
6 x 4	1	3.35	4xM12	6.89	3.74	.45	.59	2.36	1.14	5.04	2.66	20.47	FV/150psi	1.57

**Service Conditions**

Temperature Range: -150°F - 450°F

Pressure Range: Full vacuum - 150 PSIG