

Product Description

DDPS' Portable Dosing Cart is used to pump process liquids into a reactor or process vessel in a controlled fashion. The cart is compact and light-weight, making it easy for transport and storage. It consists of a highly accurate and precise pump and flow meter combination; which allows an operator to automatically charge a set amount of liquid within 0.1% of total volume, at a flow rate of up to 2 GPM. The cart can be rated for a classified hazardous area and may be combined with a control system to remotely set total charge and flow rate. The cart can also be fitted with a pH measurement loop as an optional upgrade.

Design Features

- High accuracy flow meter paired with adjustable metering pump
- Junction box / electrical cord
- Liquid inlet /outlet connections
- Nitrogen purge
- Remote operation
- Cart-mounted for portability
- Customized for individual system requirements



Dosing cart in service at a customer location



Dosing cart modeled in Solidworks

MAIN COMPONENTS

- High accuracy flow meter
- Metering Pump
- Isolation valves

PROCESS CONNECTIONS

- 1/4" compression fitting for nitrogen (qty 1)
- 1/2" compression fittings for connections for compressed liquid inlet/outlet (qty 2)

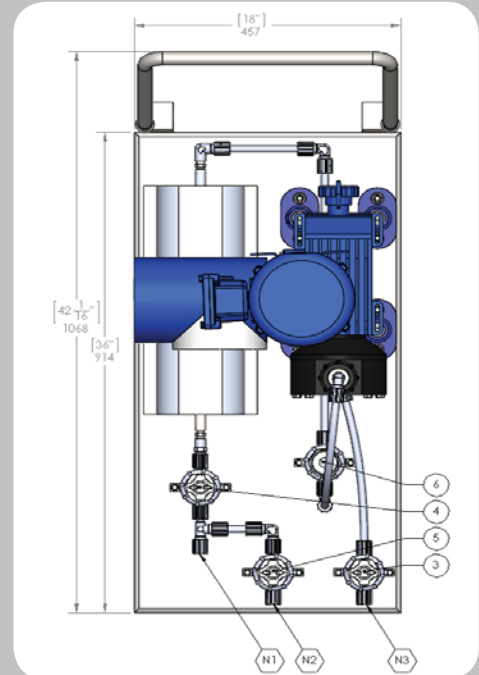
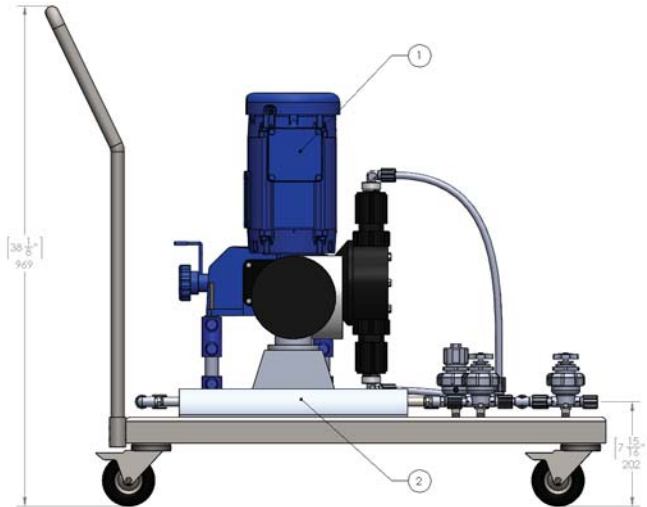
TECHNICAL DATA

- 2 GPM, 0.1% accuracy
- Dimensions: 36" (L) x 18" (W) x 38" (H)

OPTIONAL FEATURES

- pH probe with sampling pump
- Upgrade to Class 1, Div 1 Components
- Local junction box with electrical cable to wall-mounted power supply
- PLC / Computer control

General Arrangement Drawings & P&ID



Nozzle Schedule

- N1: 1/2" tube - Liquid Outlet
- N2: 1/4" tube - N₂ Blowdown
- N3: 1/2" tube - Liquid Inlet

Major Components

- 1: Metering Pump
- 2: Flow Meter
- 3: Inlet Valve
- 4: Outlet Valve
- 5: N₂ Valve
- 6: Balancing Valve

