

GLASS-LINED VALVES

spare parts &
support services



De Dietrich glass-lined valves

De Dietrich glass-lined valves are designed with proportional outlet diameters to ensure full product flow. One-piece head and stem design, combined with a seat of PTFE lined steel, assures tight shutoff. A fully glassed stem minimizes the possibility of product adherence. All De Dietrich valves are furnished with required quantity of PTFE chevron packing rings to prevent leakage under pressure or vacuum.

These valves are specially designed to avoid complex maintenance. For example, to change the PTFE seat, just remove the valve, loosen the stem from the main shaft and pull it out through the stuffing box. On replacement, the head and seat realign automatically. Valves are furnished with 150 lb. ANSI drillings. Pneumatic operators are available. Flush type bottom outlet valves are available with temperature sensing well. The temperature sensors can be either dual RTD or thermocouple.



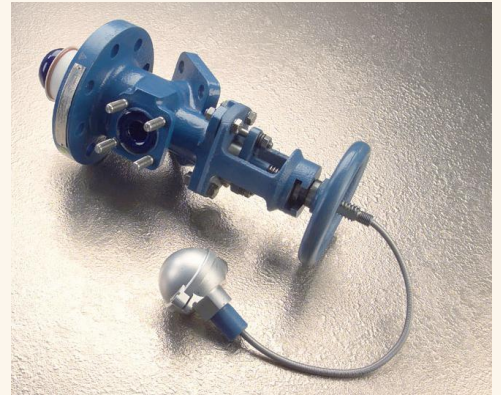
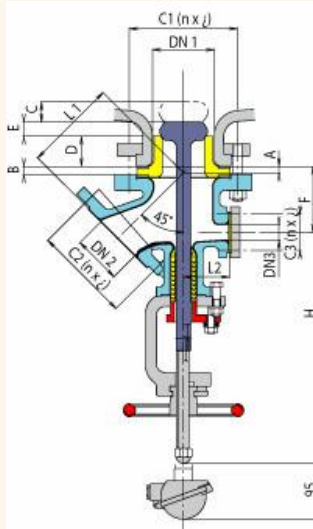


spare parts &
support services

GLASS-LINED VALVES

Flush type bottom outlet valves

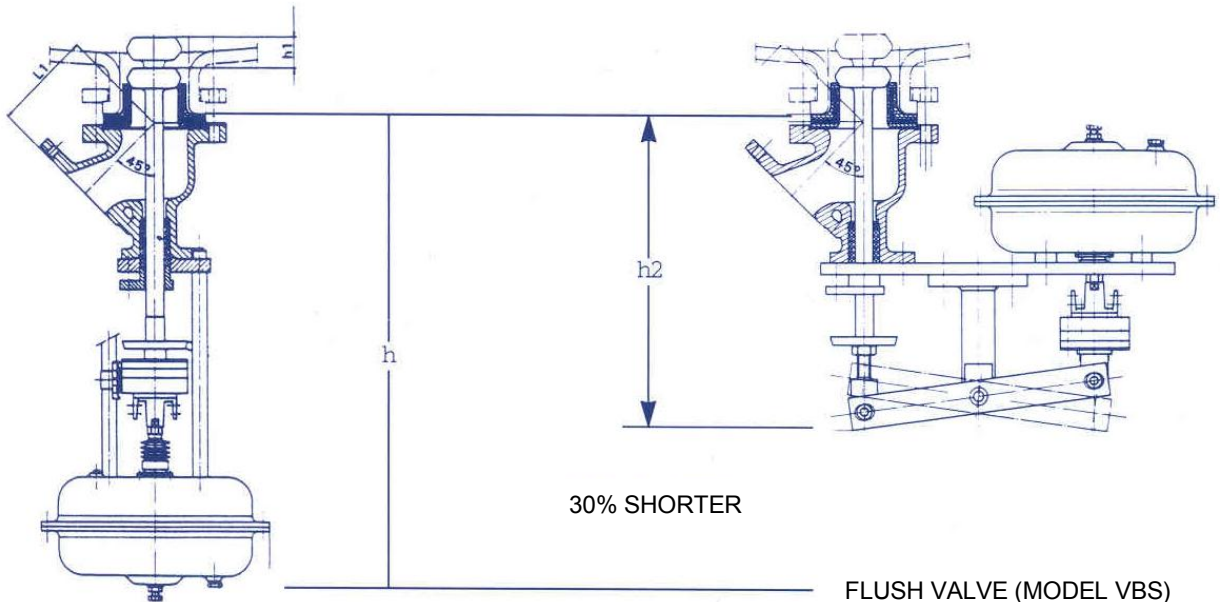
Flush type valves are essential where reactors and tanks may contain crystals or slurries. The special De Dietrich design reduces dead space: in opening, the valve head moves upward to break through residue in the bottom of tank; when closed, the valve seat and head occupy the nozzle void to prevent any product entrapment.



Clean Valve, the latest innovation in De Dietrich glass-lined valves, meets the most demanding process specifications for cleanliness and safety. See data sheet A2.600 for more information.

Flush type bottom outlet valve (model VBS)				
Vessel nozzle	2"	3"	4"	6"
Vessel outlet	1 1/2"	2"	3"	4"
Dimensions h	22 1/4"	22 1/4"	23 1/2"	25"
Dimensions h1	1 1/2"	1 7/16"	1 7/16"	2 7/16"
Dimensions h2	15 13/32"	16 25/32"	17 29/32"	19 1/32"

All dimensions in inches.



FLUSH VALVE (MODEL VBS)

FLUSH VALVE (MODEL VBS)
WITH OPTIONAL
LOW PROFILE ACTUATOR
9110 FORSYTH PARK DRIVE
CHARLOTTE NC 28273
FAX 908-889 4960

244 SHEFFIELD STREET
MOUNTAINSIDE NJ 07092
FAX 908-889-4960

908-317-2585
WWW.DDPSINC.COM
EMAIL SALES@DDPSINC.COM

Copyright © De Dietrich Process Systems, Inc. All rights reserved.

