

Nozzle Schedule

Mark	Size	Rating	Type	Service
A	4"	ASME	Ferrule	Sight Glass
B	1 1/2"	ASME	Ferrule	Pressure Gauge
C	2"	ASME	Ferrule	Product Inlet
D	1"x3"	ASME	Ferrule	Spray Disc
E	1 1/2"	ASME	Ferrule	Filtrate Outlet
F	2"	ASME	Ferrule	Vent
G	1"	ASME	Ferrule	Nitrogen Pressure
H	1"	150#	RFSO	Steam In
J	1"	150#	RSSO	Steam Out

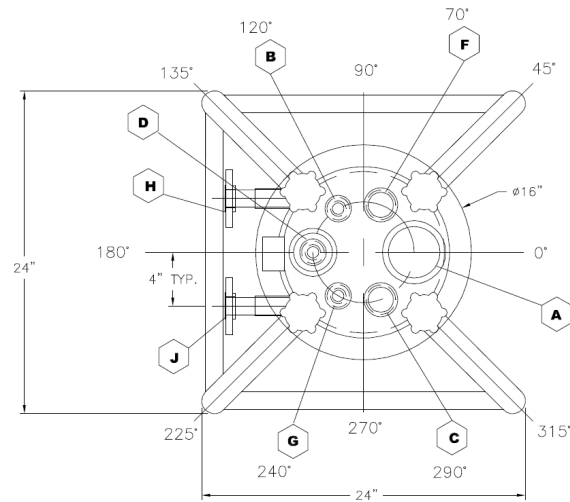
Design Data

	Shell	Jacket/Tube
Design Pressure (PSIG)	50/-15	100
Design Temperature (°F)	250	250
M.A.W.P. (PSIG)	50/-15	100
M.D.M.T. (°F)	-20	-20
Radiographic Examination	None	None
Join Efficiency (%)	0.7	0.7

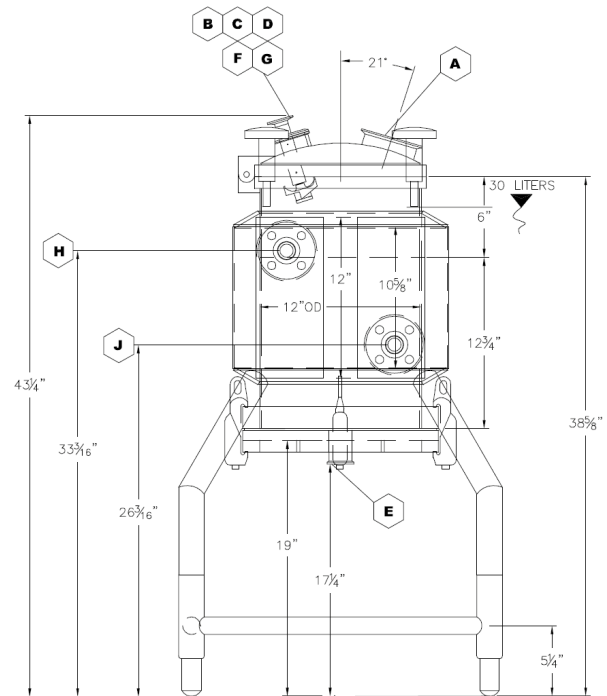
Filter Area	0.07m ²
Nominal Diameter	12"
Working Volume	30L

Weight (lbs.)

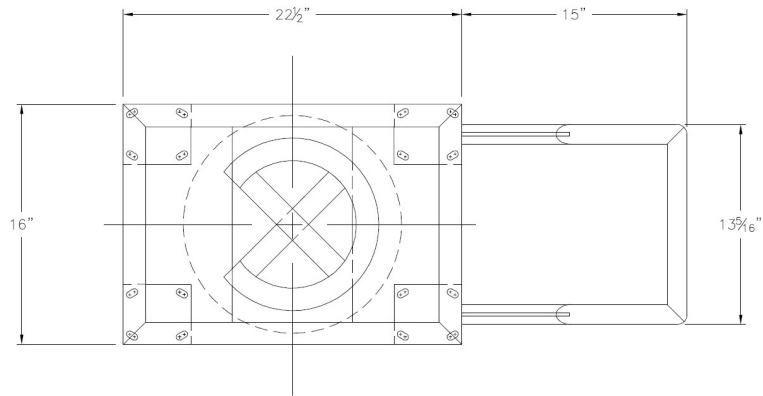
Erection (shipping) weight	125
Weight, full of water	195



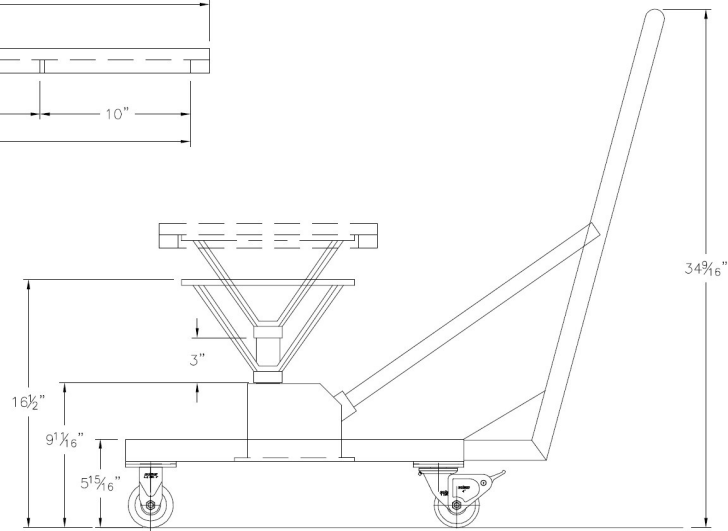
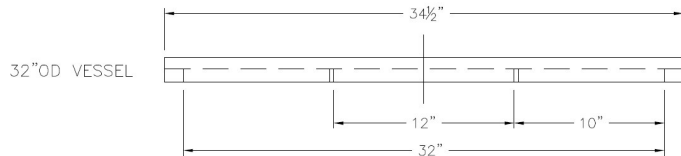
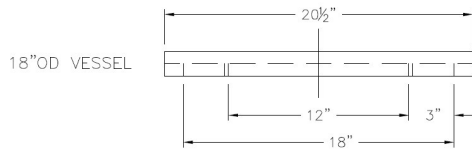
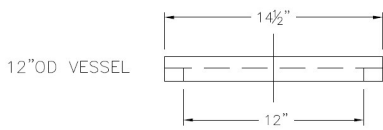
PLAN VIEW
(SHOWS TRUE ORIENTATION)



ELEVATION VIEW



CART PLAN VIEW
(SHOWS TRUE ORIENTATION)



CART ELEVATION VIEW