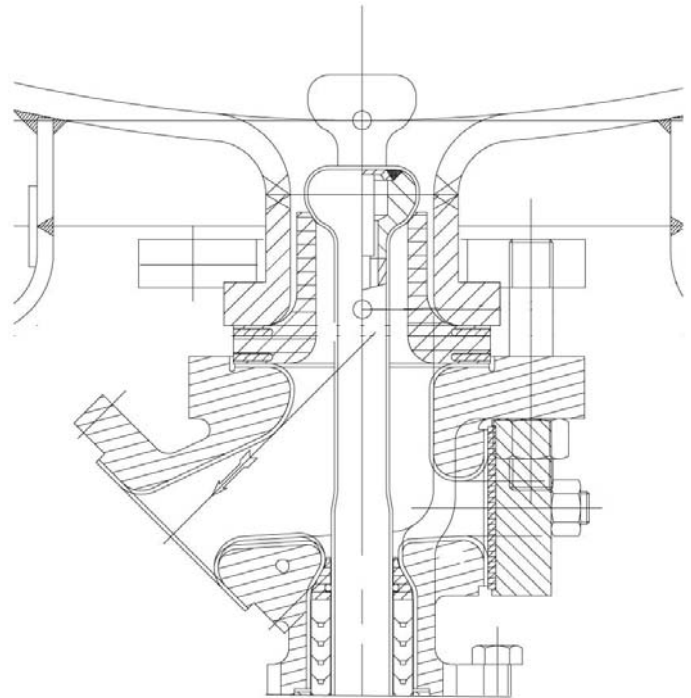


Product Description

The Easy Bottom Outlet Flange has been designed for simple attachment to Bottom Outlet Valves or piping.

PRODUCT FEATURES

- Two ring spilt flange simplifies bottom outlet attachment.
- Eliminates special wrench and nut requirements.
- Meets ASME Boiler and Pressure Vessel Code for use on glass-lined bottom outlet nozzles of De Dietrich Process System vessels.
- Drilled to ANSI Class 150. (see below for torque values)
- Available for De Dietrich Process System vessel with 2", 3", 4" and 6" bottom outlet nozzles.



Easy Bottom Outlet Flange shown with a Clean Valve.

Nozzle Size	Bolts ^{2 3} NO.	Size (in)	With AFII Gaskets ¹		Part NO.
			MIN	MAX	
2	4	¾	35	55	1648-8
3	4	¾	35	65	1649-8
4	8	¾	35	70	1650-8
6	8	¾	55	100	1653-8

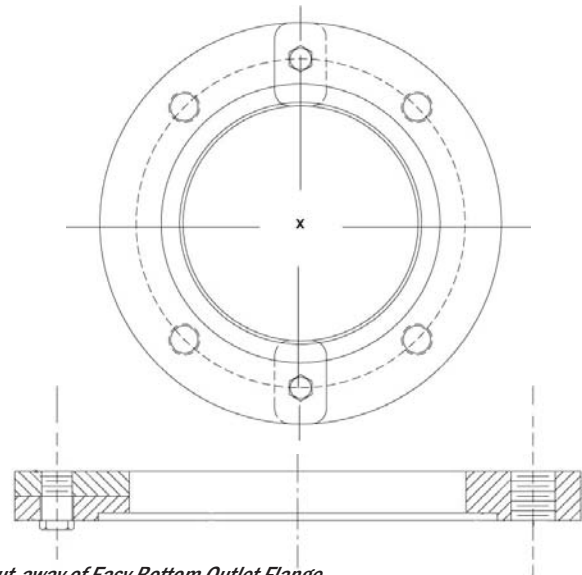
Recommended Bolt Torques¹ (foot-pounds) for ANSI Class 150 Standard Bolting

REFERENCE NOTES:

1. Torques are recommended for well-lubricated bolts.
2. ASME Spec. SA-193, Grade B7; identified by "B7" stamped on the bolt head.
3. ASME Spec. SA-194, Grade 2H nuts; identified by "2H" stamped on the surface.

Caution

When installing the Easy Bottom Outlet Flange, be sure the bolts have full thread engagement through the entire thickness of the bolting flange. Also check the bolts to ensure that they do not impinge on the outside of the head of the vessel.



Cut-away of Easy Bottom Outlet Flange.