



separation technology

ROMAN FILTER 12-30L

NOZZLE SCHEDULE

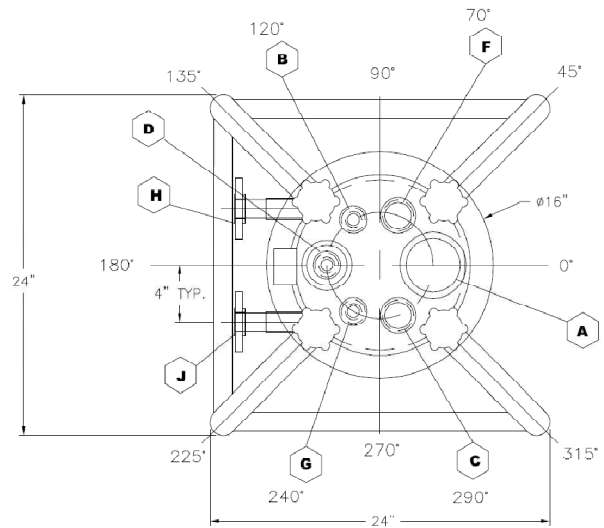
| Mark | Size | Rating | Type | Service |
|------|--------|--------|---------|-------------------|
| A | 4" | ASME | Ferrule | Sight Glass |
| B | 1 1/2" | ASME | Ferrule | Pressure Gauge |
| C | 2" | ASME | Ferrule | Product Inlet |
| D | 1"x3" | ASME | Ferrule | Spray Disc |
| E | 1 1/2" | ASME | Ferrule | Filtrate Outlet |
| F | 2" | ASME | Ferrule | Vent |
| G | 1" | ASME | Ferrule | Nitrogen Pressure |
| H | 1" | 150# | RFSO | Steam In |
| J | 1" | 150# | RFSO | Steam Out |

DESIGN DATA

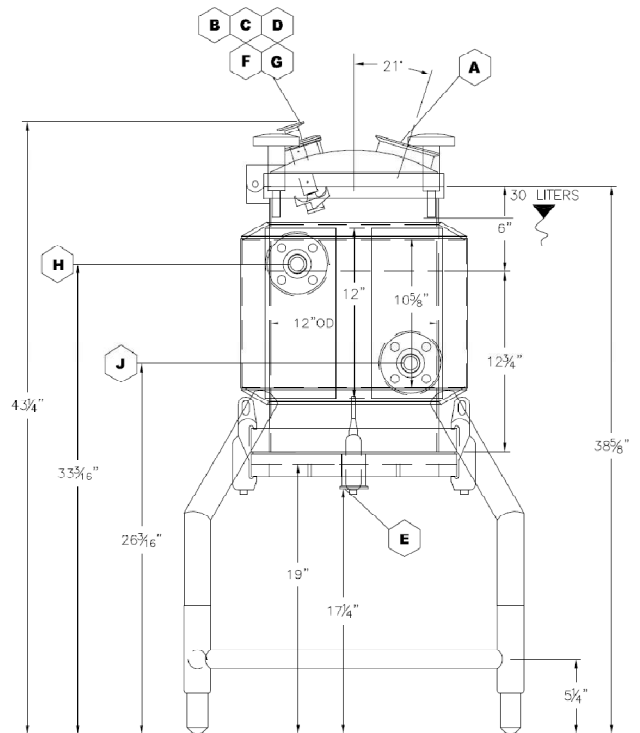
| | Shell | Jacket/Tube |
|--------------------------|--------|-------------|
| Design Pressure (PSIG) | 50/-15 | 100 |
| Design Temperature (°F) | 250 | 250 |
| M.A.W.P (PSIG) | 50/-15 | 100 |
| M.D.M.T. (°F) | -20 | -20 |
| Radiographic Examination | None | None |
| Join Efficiency (%) | 0.7 | 0.7 |

Erection (shipping) weight – 125 lbs.

Weight, full of water – 195 lbs.



PLAN VIEW
(SHOWS TRUE ORIENTATION)

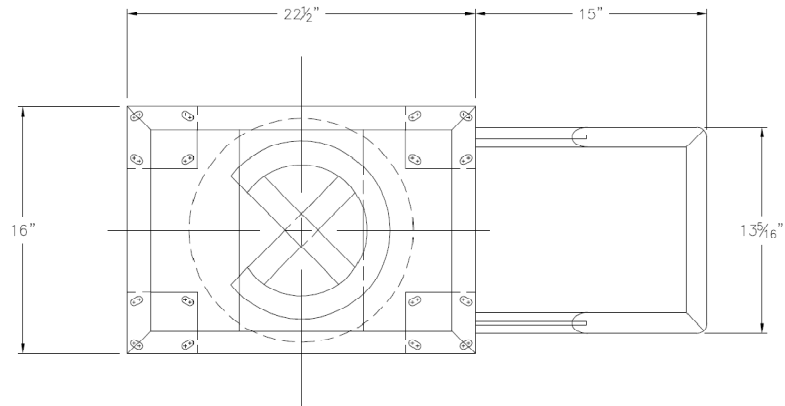


ELEVATION VIEW

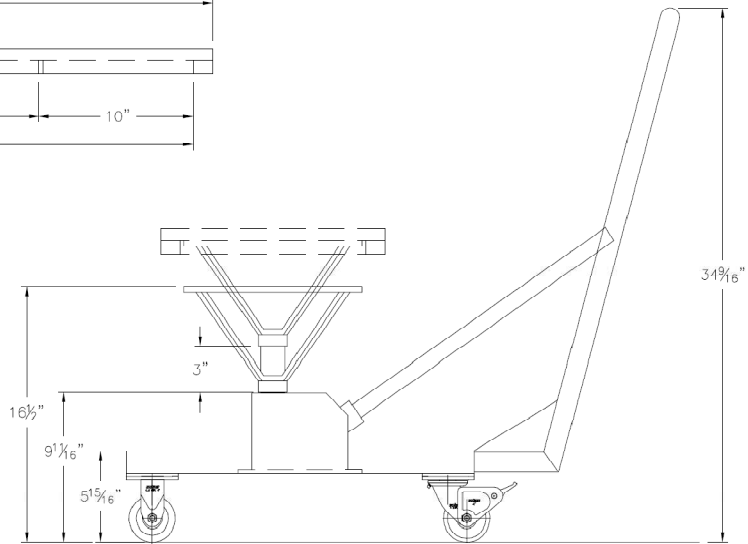
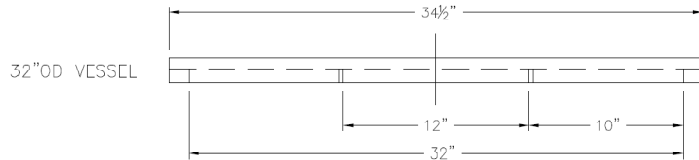
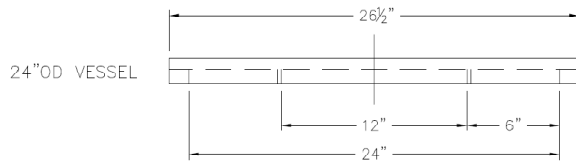
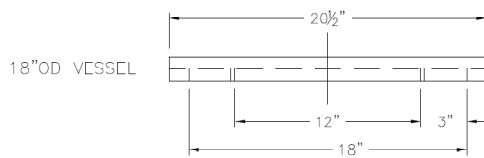
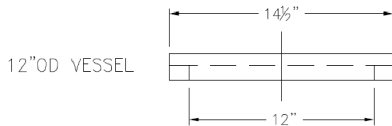


separation technology

ROMAN FILTER 12-30L CART ASSEMBLY



CART PLAN VIEW
(SHOWS TRUE ORIENTATION)



CART ELEVATION VIEW

244 SHEFFIELD STREET MOUNTAINSIDE NJ 07092 TEL 908-317-2585 FAX 908-889-4960
 9110 FORSYTH PARK DRIVE CHARLOTTE NC 28273 FAX 704-588-6866
 WWW.DDPSINC.COM EMAIL SALES@DDPSINC.COM

Copyright © De Dietrich Process Systems, Inc. All rights reserved.

