



separation technology

ROMAN FILTER 24-125L

NOZZLE SCHEDULE

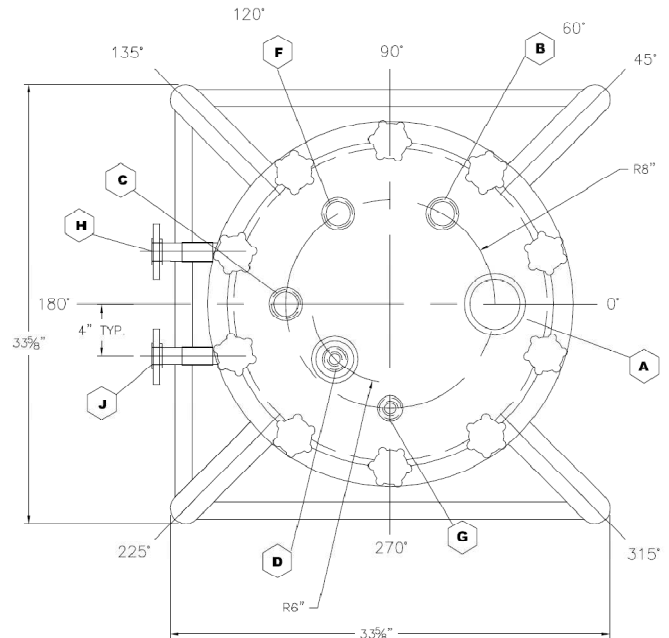
Mark	Size	Rating	Type	Service
A	4"	ASME	Ferrule	Sight Glass
B	2"	ASME	Ferrule	Pressure Gauge
C	2"	ASME	Ferrule	Product Inlet
D	1"x3"	ASME	Ferrule	Spray Disc
E	1 1/2"	ASME	Ferrule	Filtrate Outlet
F	2"	ASME	Ferrule	Vent
G	1"	ASME	Ferrule	Nitrogen Pressure
H	1"	150#	RFSO	Steam In
J	1"	150#	RFSO	Steam Out

DESIGN DATA

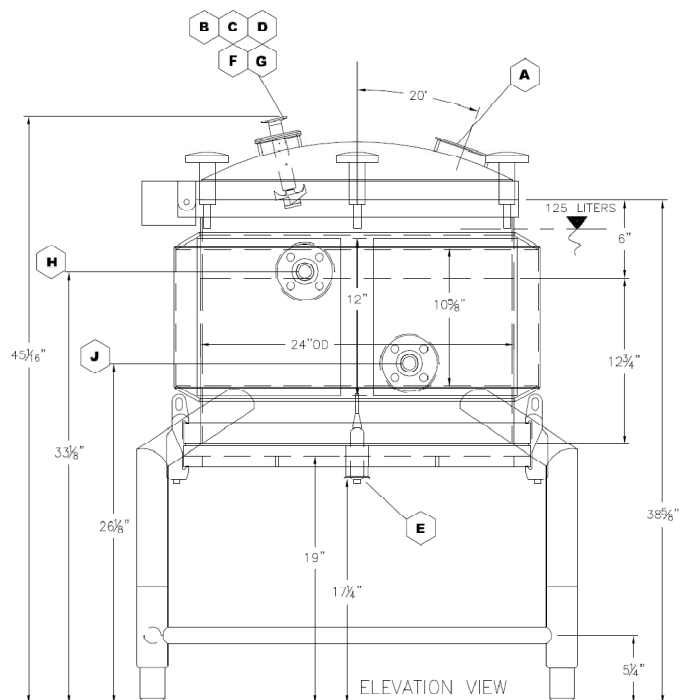
	Shell	Jacket/Tube
Design Pressure (PSIG)	50/-15	100
Design Temperature (°F)	250	250
M.A.W.P (PSIG)	50/-15	100
M.D.M.T. (°F)	-20	-20
Radiographic Examination	None	None
Join Efficiency (%)	0.7	0.7

Erection (shipping) weight – 410 lbs.

Weight, full of water – 565 lbs.



PLAN VIEW
(SHOWS TRUE ORIENTATION)

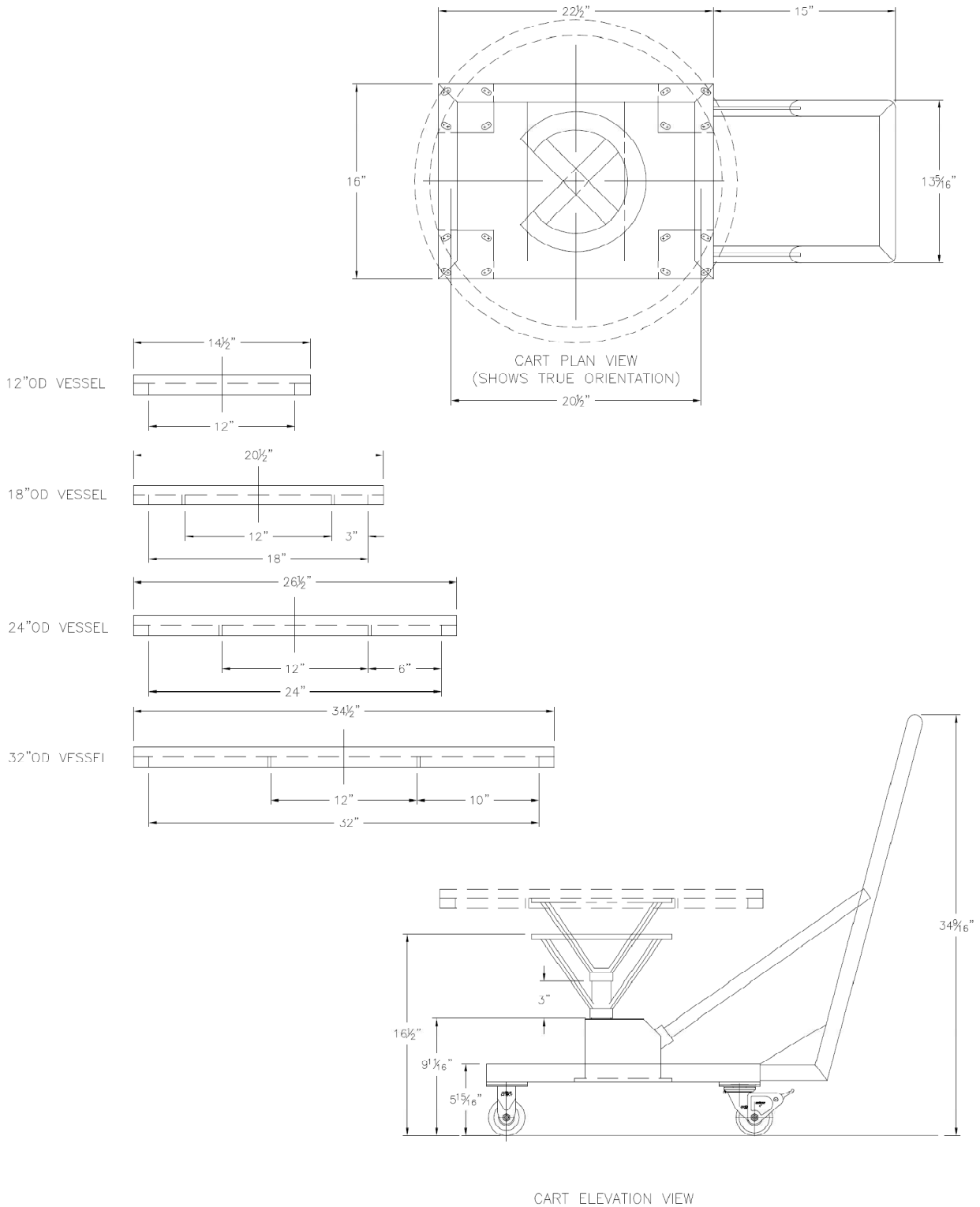


ELEVATION VIEW



separation technology

ROMAN FILTER 24-125L CART ASSEMBLY



244 SHEFFIELD STREET MOUNTAINSIDE NJ 07092 TEL 908-317-2585 FAX 908-889-4900
 9110 FORSYTH PARK DRIVE CHARLOTTE NC 28273 FAX 704-588-6866
 WWW.DDPSINC.COM EMAIL SALES@DDPSINC.COM

Copyright © De Dietrich Process Systems, Inc. All rights reserved.

