



reaction technology

Q50

QVF 50L Jacketed Borosilicate Glass Reactor

SPECIFICATIONS

Vessel Design Pressure (barg)	0.6 and F.V.
Jacket Design Pressure (barg)	0.5
Design Temperature (°C)	120
Jacket Heating Area (m ²)	0.72

DIMENSIONS

	mm	in
A	3130	123
B	980	39
C	880	35
D	385	15
E	1880	74
F	2490	98
G	1440	57
H	1650	65
I (I.D)	300	12

CAPACITY (L)

Working Volume	51
Maximum Volume	59
Jacket Volume	22

REACTOR WEIGHTS (lb)

Reactor (with drive system)	525
Complete (with condenser)	590
Add for Shipping	300

HELICAL GEAR DRIVE

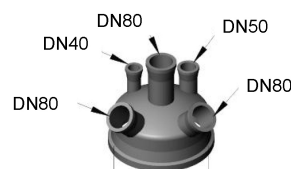
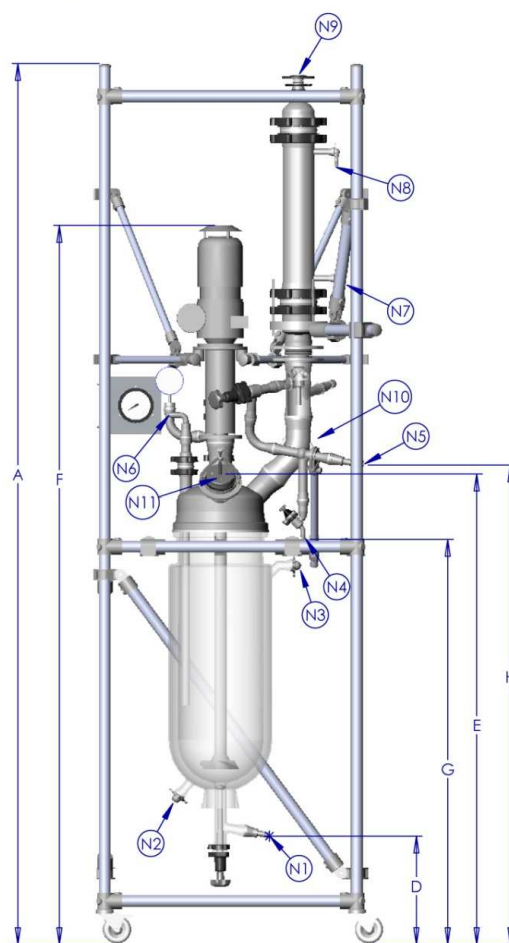
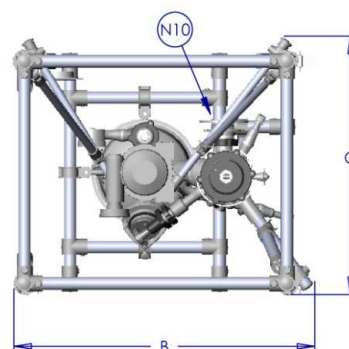
Motor	½ HP
Motor Type	XP

PITCHED BLADE TURBINE AGITATOR

Span (diameter)	145 mm (6")
Speed (range)	125 to 600 RPM
Material of Construction	PTFE / CS

Nozzle Schedule

Mark	Size	Type	Service
N1	3/4" OD	Hose Barb	Reactor Outlet
N2	3/4" OD	Hose Barb	Jacket Inlet
N3	3/4" OD	Hose Barb	Jacket Outlet
N4	5/8" OD	Hose Barb	Liquid Seal Drain
N5	3/8" ID	Compression	Distillate Outlet
N6	3/4" OD	Hose Barb	Reactor Liquid Feed
N7	1/2" OD	Hose Barb	Coolant Inlet
N8	1/2" OD	Hose Barb	Coolant Outlet
N9	1"	ANSI 150#	Vapor Outlet
N10	2"	ANSI 150#	Relief Outlet
N11	3"	Closure Plug	Hand Hole
N12	3/8" ID	Compression	Thermowell Opening



244 SHEFFIELD STREET
MOUNTAINSIDE NJ 07092
FAX 908-889-4960

908-317-2585

WWW.DDPSINC.COM
EMAIL SALES@DDPSINC.COM

9110 FORSYTH PARK DRIVE
CHARLOTTE NC 28273
FAX 908-889 4960

De Dietrich
PROCESS SYSTEMS

De Dietrich

Copyright © De Dietrich Process Systems, Inc. All rights reserved.

ROSENMUND



E8.100.50