

## Description

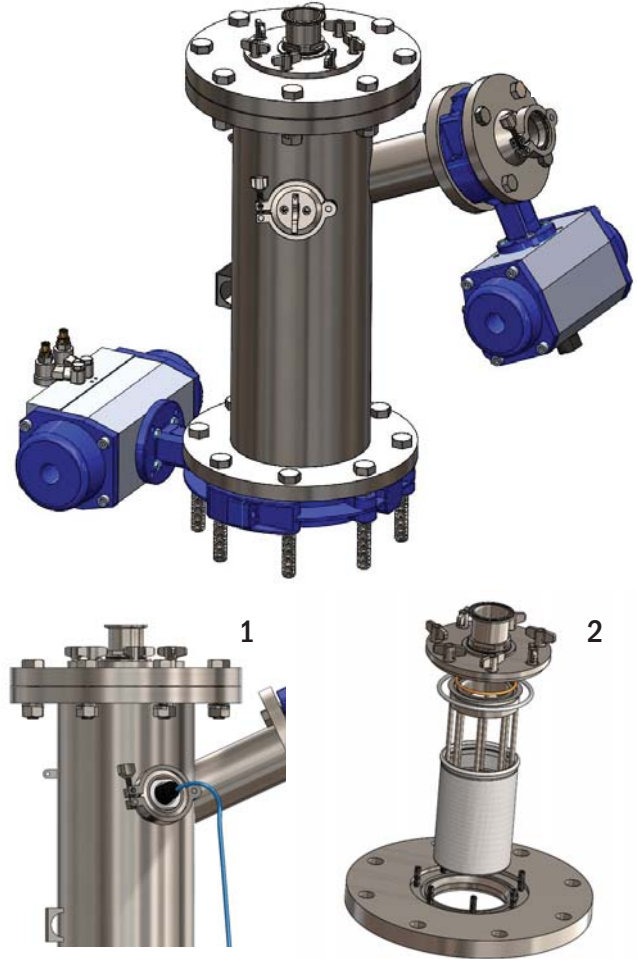
The Powder Pump is a dense-phase pneumatic transfer system. It is designed to transfer a wide range of solids in a safe and contained manner. Simple in design, construction and operation, the Powder Pump enables solids charging into a vessel without the need to open a manway, thus maintaining the inert atmosphere inside the vessel. With proper solids analysis and testing, the Powder Pump can provide an ideal solution for transferring products of varying sizes and flow characteristics.

## Applications

The Powder Pump is suitable for most processes in the chemical, pharmaceutical, food or flavor/fragrance industry where controlled, contained and efficient transfer of sensitive, hazardous or toxic solid materials is required.

## Features

- Filter Sock rated for 99.9% efficiency @ 1-micron particle size
- Secondary port for spray ball or level-detection (see Image 1)
- Tool-less access to filter element to enable easy changeout (see Image 2)
- All components are anti-static/conductive and bonded for grounding



## POWDER PUMP ADVANTAGES

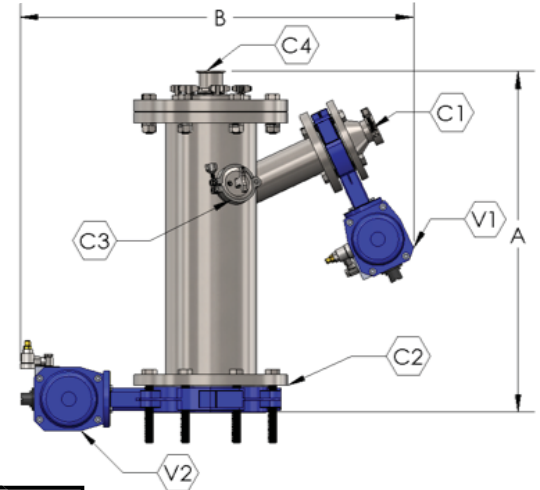
- Closed system provides a dust-free environment
- Ability to charge with vessel under pressure, vacuum or with solvents already in vessel
- Ability to charge hazardous products
- Reduction/elimination of operator exposure or injury
- Wash-in-Place cleaning capability
- ASME and CRN code stamps available
- Minimal spare parts
- Reduces solids handling and eliminates hoists and handling equipment over the reactor

Want to see the Powder Pump in action? Visit [www.ddpsinc.com/powderpump](http://www.ddpsinc.com/powderpump) and watch our [Powder Pump Demonstration Video](#) online:



## DIMENSIONAL AND UTILITY DATA\*

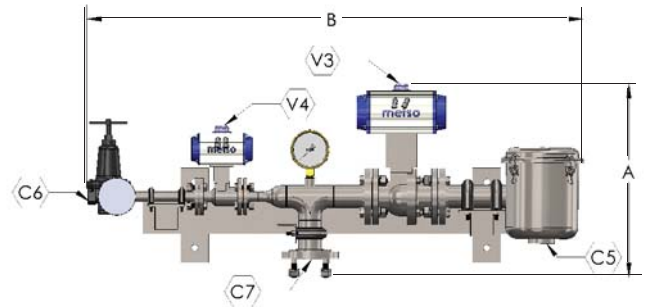
- Sizes: 4", 6", 8" and 12"
- Available in 316 SS, Hastelloy or Glass
- Typical transfer distances are between 25-50 ft. Testing is highly recommended on anything beyond that distance.



Powder Pump	Valves		Connections			
	V1 Inlet Butterfly inches	V2 Outlet Butterfly inches	C1 Inlet Tri-clamp inches	C2 Outlet Flange inches	C3 2nd Port Tri-clamp inches	C4 Lid Tri-Clamp inches
PP-4	2	4	1.5	4	2.5	1.5
PP-6	2	6	1.5	6	2.5	1.5
PP-8	3	8	2	8	2.5	2
PP-12	3	12	2.5	12	2.5	3

Powder Pump	Approximate Weights					Approximate Dimensions	
	PP Body lbs	Outlet Valve lbs	Inlet Valve/ Adaptor lbs	Filter Access Cover lbs	Total lbs	A Overall Height inches	B Overall Width inches
PP-4	33.0	7.5	6.3	4.0	88.2	32.32	29.45
PP-6	46.8	15.1	6.3	4.0	124.4	32.32	29.76
PP-8	71.1	26.4	14.3	5.5	142.1	33.00	34.54
PP-12	126.0	54.7	14.3	27.3	287.7	37.20	42.50

Powder Pump	Valves		Connections		
	V3 Vacuum Ball inches	V4 Nitrogen Ball inches	C5 Filter NPT inches	C6 Regulator NPT inches	C7 Utility Hose Flange inches
PP-4	1.5	0.75	2	0.75	1.5
PP-6	1.5	0.75	2	0.75	1.5
PP-8	2	0.75	2	0.75	2
PP-12	3	1	3	1	3



Powder Pump	Approximate Weights				Approximate Dimensions	
	Mounting Bracket lbs	Valves lbs	Filter Housing lbs	Total lbs	A Overall Height inches	B Overall Width inches
PP-4	38.0	44.2	2.3	100.6	17.0	54.2
PP-6	38.0	44.2	2.3	100.6	17.0	54.2
PP-8	38.0	54.2	2.3	120.2	20.5	52.8
PP-12	49.5	91.4	40.3	219.5	23.4	72.0

\*This data is for the standard Powder Pump, other configurations are available. Please contact DDPS to discuss your specific application and determine the system that is appropriate.

