

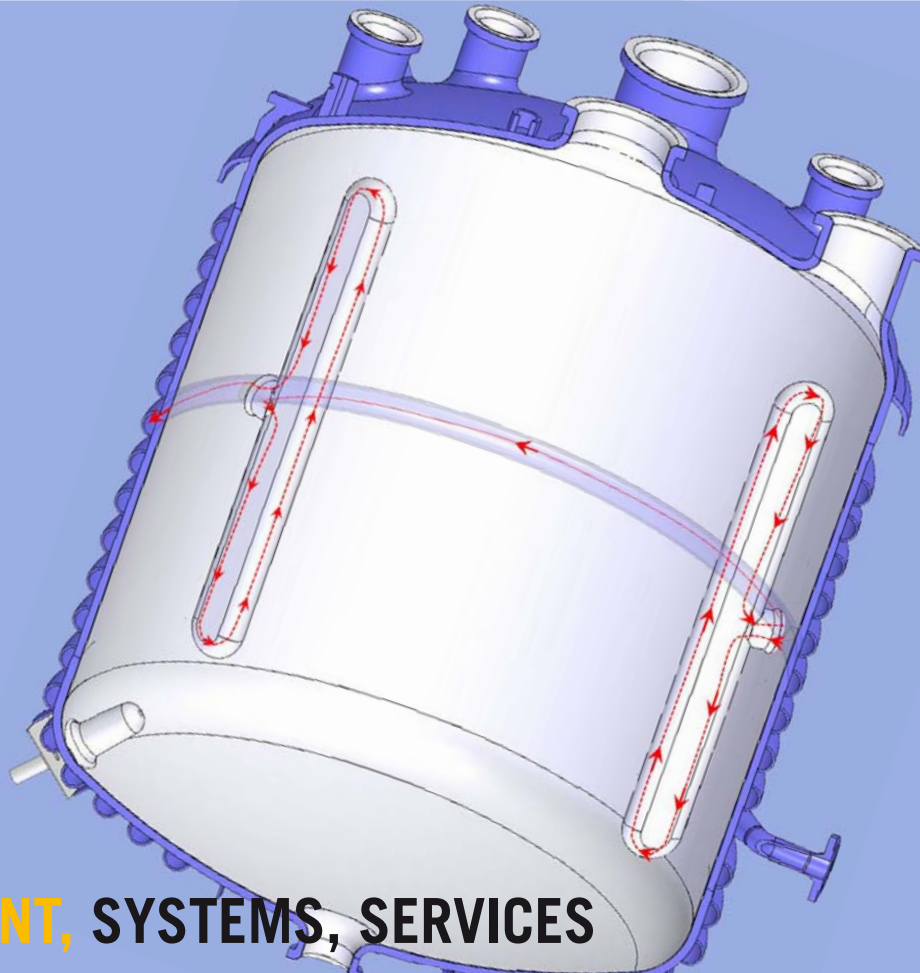
**THE ENERGY EFFICIENCY
OPTIMIX® - HE**



**INCREASE
YOUR HEAT EXCHANGE SURFACE**

De Dietrich
PROCESS SYSTEMS





EQUIPMENT, SYSTEMS, SERVICES

OPTIMIX® - HE (Heat Exchange)

PROCESS INTENSIFICATION

A NEW GENERATION OF OPTIMIX® REACTORS

In the continuity of the highly experienced OptiMix® design with hundreds of reactors in operation since 2003 and to meet the market requirements, De Dietrich® has extended the range of the OptiMix® reactors to provide improved heat transfer and reduce processing times.

This new design uses the thermal fluid contained in the half-coil in order to create a circulation through the baffles.

This results in an increased heat transfer area up to 25% enabling a more homogeneous, faster thermal management and therefore cycle times shortened.

REDUCE YOUR PRODUCTION COSTS!

KEY ADVANTAGES

- **HEATED / COOLED BAFFLES**
- **HEAT EXCHANGE AREA INCREASED UP TO 25%**
- **REDUCED REACTION TIME**
- **CLEARANCE OF ALL THE NOZZLES**
- **IMPROVED CLEANING FACILITIES:**
 - No dead zone
 - Less vortex means reduced splashing on wall and upper head

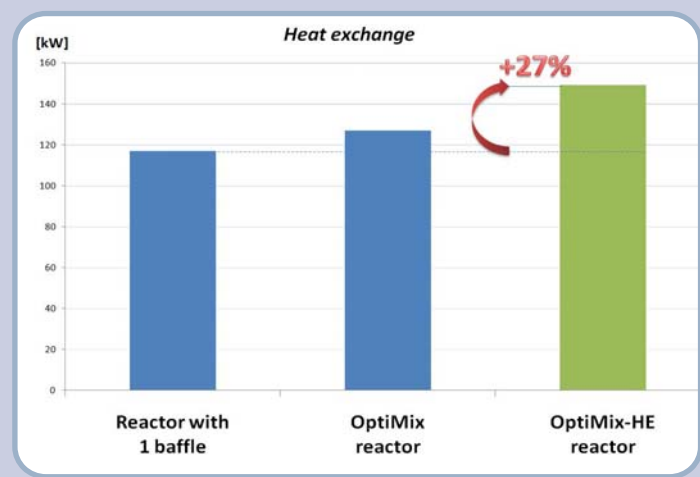
MASTER YOUR FUTURE: OPTIMIX[®] 2nd GENERATION WITH HEATED / COOLED BAFFLES

THE RANGE

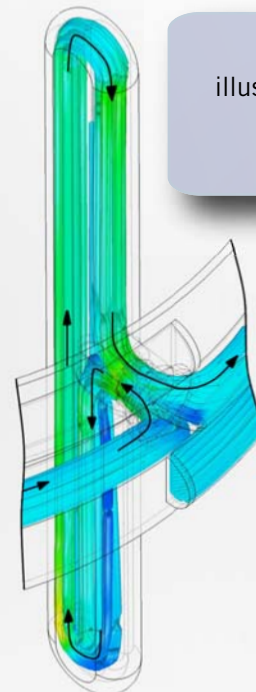
A complete range from 100 l. to 8,000 l. in half-coils with thermal fluid
Geometry according to DIN 28136
Inside: -25/+200°C; -1/6 bar / Outside: -25/+200°C; -1/6 bar

Patented

THERMAL COMPARISON



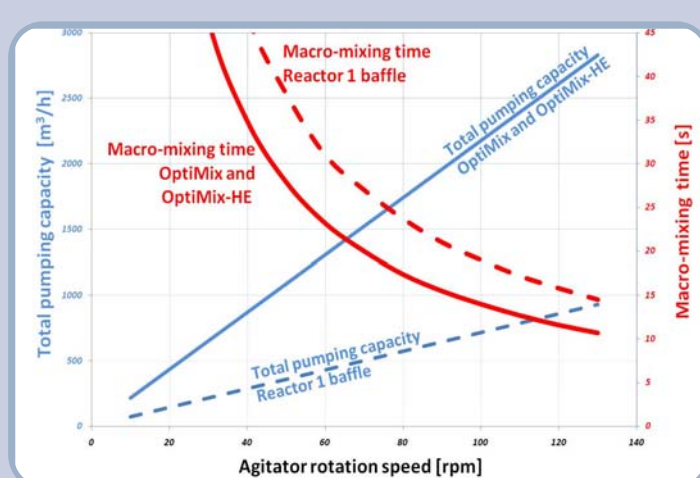
Reactor DIN 1000 l. with half-coil, agitation 110 rpm, sulphuric acid, thermal fluid 150°C



CFD SIMULATION
illustrating the turbulent flow
of the fluid
through the baffles



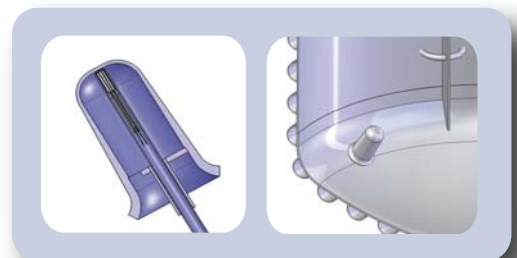
HYDRODYNAMIC COMPARISON

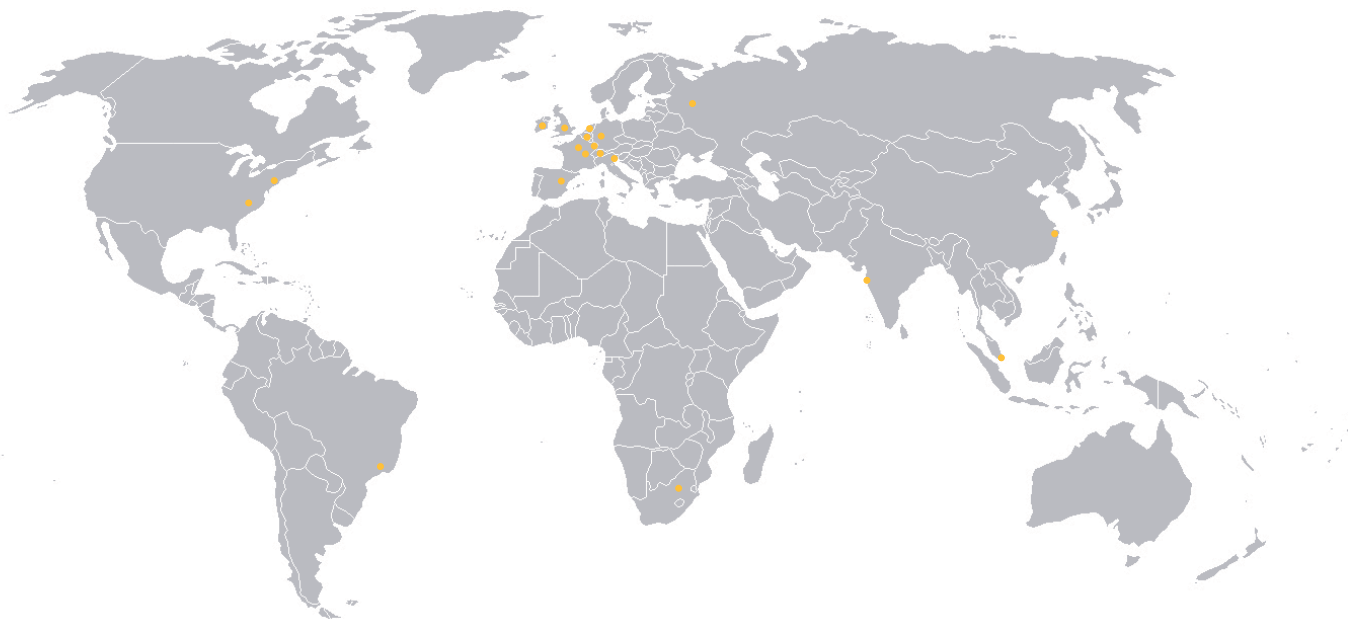


BOOST THE PUMPING RATE OF YOUR AGITATION
BE 1000 l. reactor, flat blades 45°, sulphuric acid



TEMPERATURE PROBE INTEGRATED IN THE WALL





DE DIETRICH SAS
 Château de Reichshoffen
 F 67891 Niederbronn Cedex
 Phone +33 3 88 80 26 00
 Fax +33 3 88 80 26 95
 www.dedietrich.com

BENELUX

De Dietrich Process Systems N.V.
 B - Heverlee-Leuven
 Phone +32 16 40 5000
 Fax +32 16 40 5500
 info@benelux.dedietrich.com

BRAZIL

De Dietrich Do Brasil Ltda
 São Paulo
 Phone +55 11 2703 7380
 Fax +55 11 2702 4284
 brasil@dedietrich.com.br

CHINA

De Dietrich Process Systems Co. Ltd
 Wuxi
 Phone +86 510 6696 7500
 Fax +86 510 6696 7599
 info@dedietrichchina.com

FRANCE

De Dietrich S.A.S.
 Zinswiller
 Phone +33 3 88 53 23 00
 Fax +33 3 88 53 23 99
 sales@dedietrich.com

De Dietrich S.A.S.
 Evry
 Phone +33 1 69 47 04 00
 Fax +33 1 69 47 04 10
 eivs@dedietrich.com

De Dietrich Process Systems Semur
 S.A.S.
 Semur-en-Auxois
 Phone +33 3 80 97 12 23
 Fax +33 3 80 97 07 58
 info@rosenmund.com

GERMANY

De Dietrich Process Systems GmbH
 Mainz
 Phone +49 6131 9704 0
 Fax +49 6131 9704 500
 mail@qvf.de

GREAT BRITAIN / IRELAND

De Dietrich Process Systems Ltd
 Stafford
 Phone +44 1785 609 900
 Fax +44 1785 609 899
 sales@qvf.co.uk

INDIA

Shannon
 Phone +35 361 366924
 Fax +35 361 366854
 sales@dedietrich.ie

INDIA
 De Dietrich Process Systems (India)
 Pvt, Ltd
 Mumbai
 Phone +91 22 28 505 794
 Fax +91 22 28 505 731
 ddps.india@dedietrich.com

ITALY

De Dietrich Process Systems Srl
 San Dona' Di Piave (VE)
 Phone. +39 0421 222 128
 Fax +39 0421 224 212
 info-it@dedietrich.com

RUSSIA

De Dietrich Rep. Office
 Moscow
 Phone +7 495 663 9904
 Fax +7 495 663 9905
 info@ddps.ru

SINGAPORE

De Dietrich Singapore (PTE) Ltd
 Singapore
 Phone +65 68 61 12 32
 Fax +65 68 61 61 12
 info.sg@dedietrich.com

SOUTH AFRICA

De Dietrich South Africa (PTY) Ltd
 Dunswart
 Phone +27 11 918 4131
 Fax +27 11 918 4133
 info.za@dedietrich.com

SPAIN

De Dietrich Equipos Quimicos S.L.
 Barcelona
 Phone +34 93 292 0520
 Fax +34 93 21 84 709
 comercial@dedietrich.es

SWITZERLAND

De Dietrich Process Systems AG
 Liestal
 Phone +41 61 925 11 11
 Fax +41 61 921 99 40
 info@rosenmund.com

UNITED STATES

De Dietrich Process Systems Inc.
 Mountainside, NJ
 Phone +1 908 317 2585
 Fax +1 908 889 4960
 sales@ddpsinc.com

Charlotte, NC
 Phone +1 704 587 04 40
 Fax +1 704 588 68 66
 rosenmund@ddpsinc.com

The international business group De Dietrich Process Systems is the leading provider of system solutions and reactors for corrosive applications as well as plants for mechanical solid/liquid separation and drying. The system solutions from De Dietrich Process Systems are used in the industrial areas of pharmaceuticals, chemicals and allied industries.

www.dedietrich.com

The information contained in this brochure is for general guidance only and is not contractual. We reserve the right to modify, alter, delete or supersede any of the products and services described herein without notice or liability. © 2010 De Dietrich SAS. All rights reserved. EG-GB-11-V1-1/2/10. © Ron Chapple - Masterfile



This document has been printed on paper from sustainably managed forests. Inks being used contain no solvents, are environmentally-friendly and free of volatile organic compounds.