



reaction technology

# Q100

## QVF 100L Jacketed Borosilicate Glass Reactor

### SPECIFICATIONS

Vessel Design Pressure (barg)	0.6 and F.V.
Jacket Design Pressure (barg)	0.5
Design Temperature (°C)	120
Jacket Heating Area (m <sup>2</sup> )	1.01

DIMENSIONS	mm	in
A	3235	127
B	1130	44
C	850	33
D	530	21
E	1685	66
F	2900	114
G	1690	67
H	1960	77
I (I.D.)	450	18

### CAPACITY (L)

Working Volume	104
Maximum Volume	122
Jacket Volume	26

### REACTOR WEIGHTS (lb)

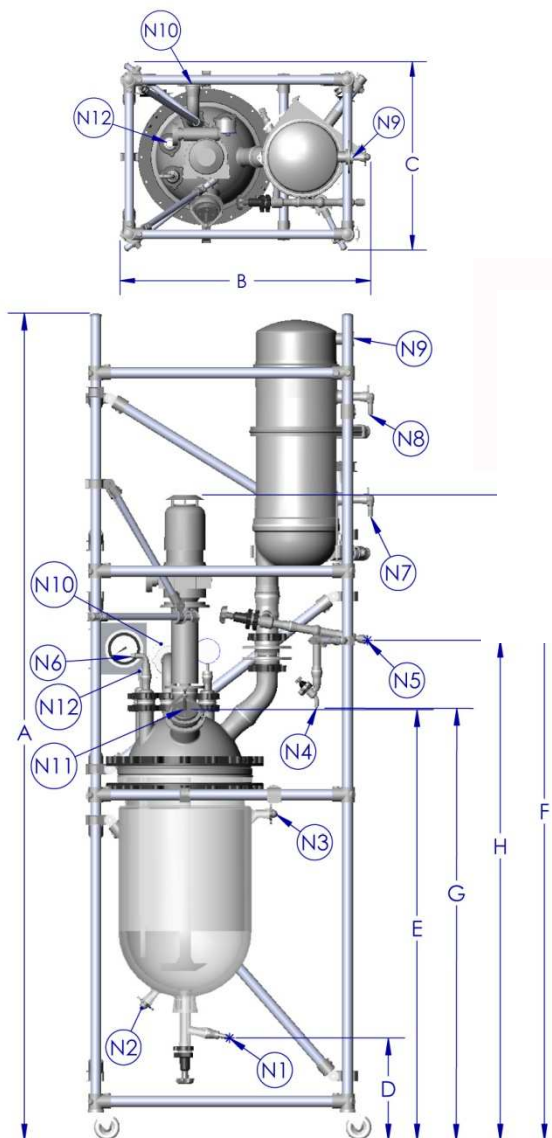
Reactor (with drive system)	810
Complete (with condenser)	890
Add for Shipping	300

### HELICAL GEAR DRIVE

Motor	½ HP
Motor Type	XP

### PITCHED BLADE TURBINE AGITATOR

Span (diameter)	190 mm (8")
Speed (range)	125 to 600 RPM
Material of Construction	PTFE / CS



Nozzle Schedule			
Mark	Size	Type	Service
N1	3/4" OD	Hose Barb	Reactor Outlet
N2	3/4" OD	Hose Barb	Jacket Inlet
N3	3/4" OD	Hose Barb	Jacket Outlet
N4	5/8" ID	Hose Barb	Liquid Seal Drain
N5	3/8" ID	Compression	Distillate Outlet
N6	3/4" OD	Hose Barb	Reactor Liquid Feed
N7	1/2" OD	Hose Barb	Coolant Inlet
N8	1/2" OD	Hose Barb	Coolant Outlet
N9	1 1/2"	ANSI 150#	Vapor Outlet
N10	2"	ANSI 150#	Relief Outlet
N11	4"	Closure Plug	Hand Hole
N12	3/8" ID	Compression	Thermowell Opening
N13	2"	Pipe Cover	Spare

244 SHEFFIELD STREET  
MOUNTAINSIDE NJ 07092  
FAX 908-889-4960

908-317-2585

WWW.DDPSINC.COM

EMAIL SALES@DDPSINC.COM

9110 FORSYTH PARK DRIVE

CHARLOTTE NC 28273

FAX 908-889 4960

De Dietrich  
PROCESS SYSTEMS

De Dietrich

ROSENMUND



E8.100.100