



reaction technology

Q30 QVF 30L Jacketed Borosilicate Glass Reactor

SPECIFICATIONS

Vessel Design Pressure (barg)	0.6 and F.V.
Jacket Design Pressure (barg)	0.5
Design Temperature (°C)	120
Jacket Heating Area (m ²)	0.46

DIMENSIONS

	mm	in
A	2800	110
B	980	39
C	880	35
D	386	15
E	1330	52
F	2220	88
G	1105	50
H	1650	65
I (I.D)	300	12

CAPACITY (L)

Working Volume	31
Total Volume (to hand hole)	47
Jacket Volume	17

REACTOR WEIGHTS (lb)

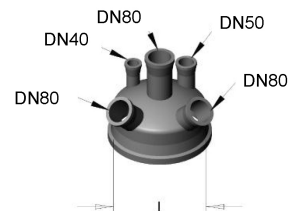
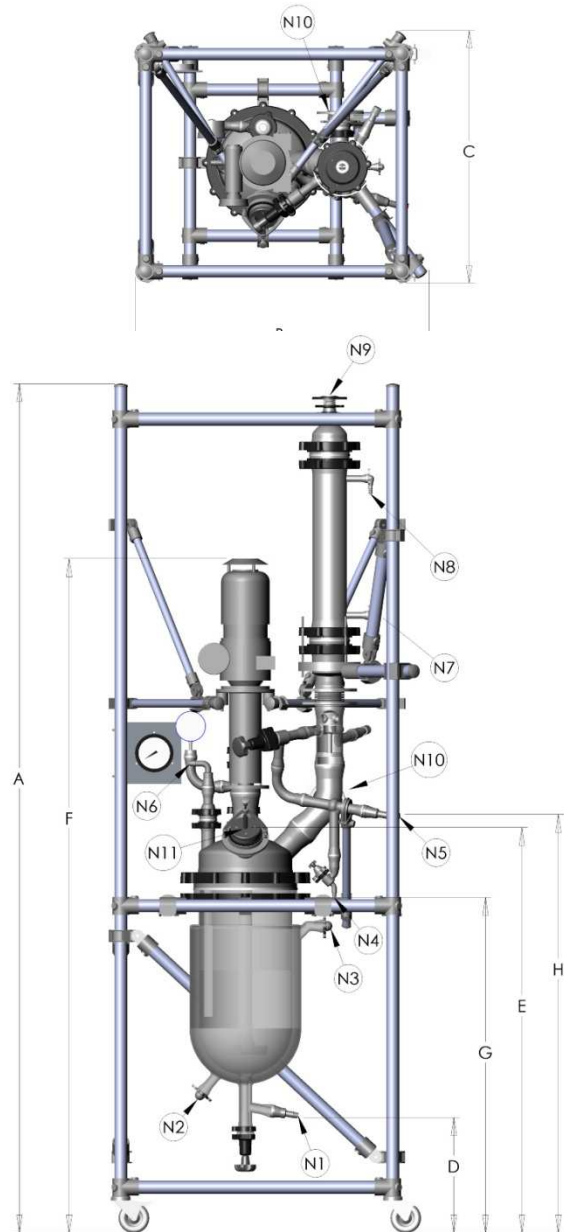
Reactor (with drive system)	490
Complete (with condenser)	550
Add for Shipping	300

HELICAL GEAR DRIVE

Motor	½ HP
Motor Type	XP

PITCHED BLADE TURBINE AGITATOR

Span (diameter)	145 mm (6")
Speed (range)	125 to 600 RPM
Material of Construction	PTFE / CS



Nozzle Schedule			
Mark	Size	Type	Service
N1	3/4" OD	Hose Barb	Reactor Outlet
N2	3/4" OD	Hose Barb	Jacket Inlet
N3	3/4" OD	Hose Barb	Jacket Outlet
N4	5/8" OD	Hose Barb	Liquid Seal Drain
N5	3/8" ID	Compression	Distillate Outlet
N6	3/4" OD	Hose Barb	Reactor Liquid Feed
N7	1/2" OD	Hose Barb	Coolant Inlet
N8	1/2" OD	Hose Barb	Coolant Outlet
N9	1"	ANSI 150#	Vapor Outlet
N10	2"	ANSI 150#	Relief Outlet
N11	3"	Closure Plug	Hand Hole
N12	3/8" ID	Compression	Thermowell Opening



244 SHEFFIELD STREET
MOUNTAINSIDE NJ 07092
FAX 908-889-4960

908-317-2585

WWW.DDPSINC.COM

EMAIL SALES@DDPSINC.COM

9110 FORSYTH PARK DRIVE

CHARLOTTE NC 28273

FAX 908-889 4960

Copyright © De Dietrich Process Systems, Inc. All rights reserved.



E8.100.30